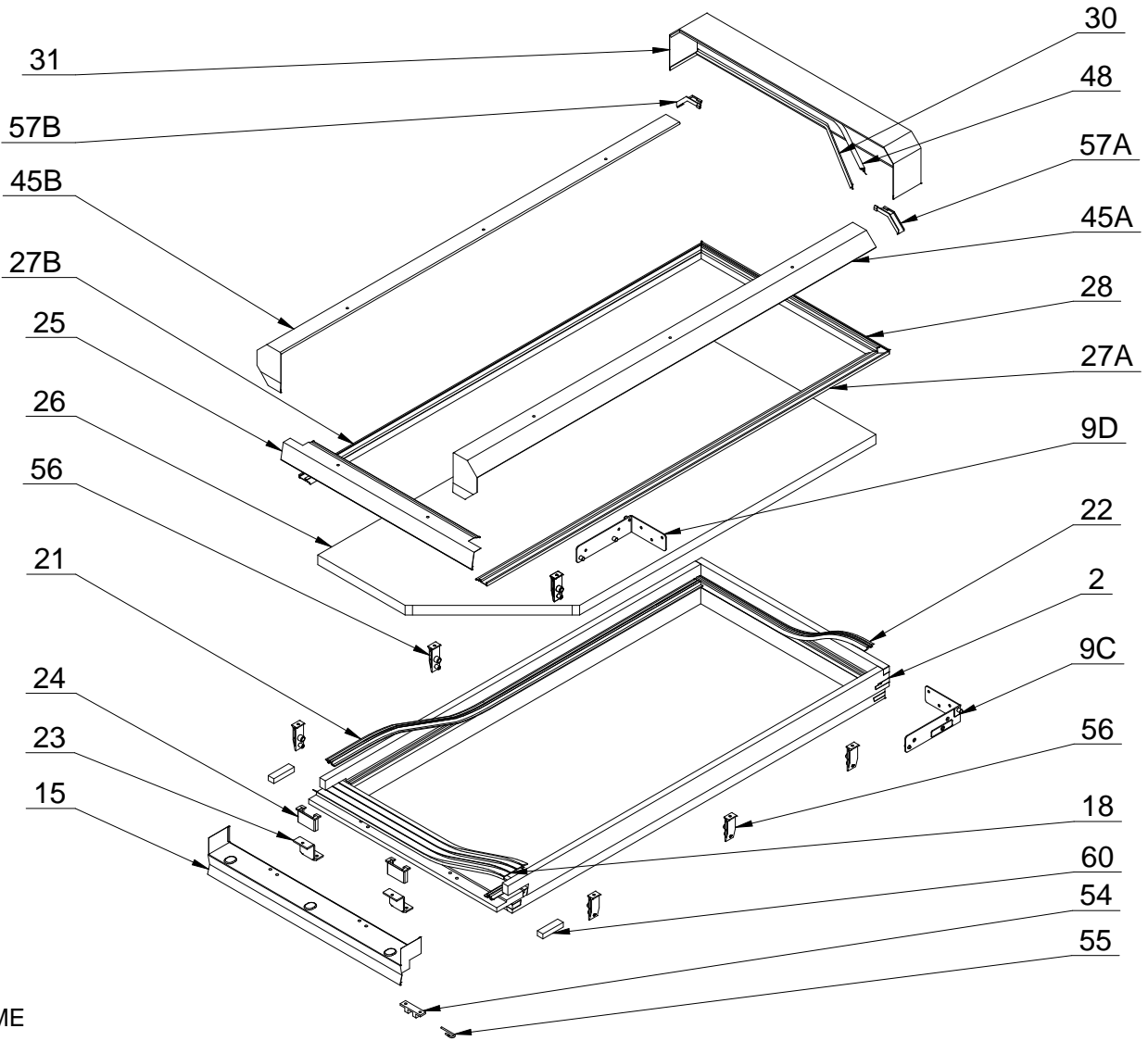
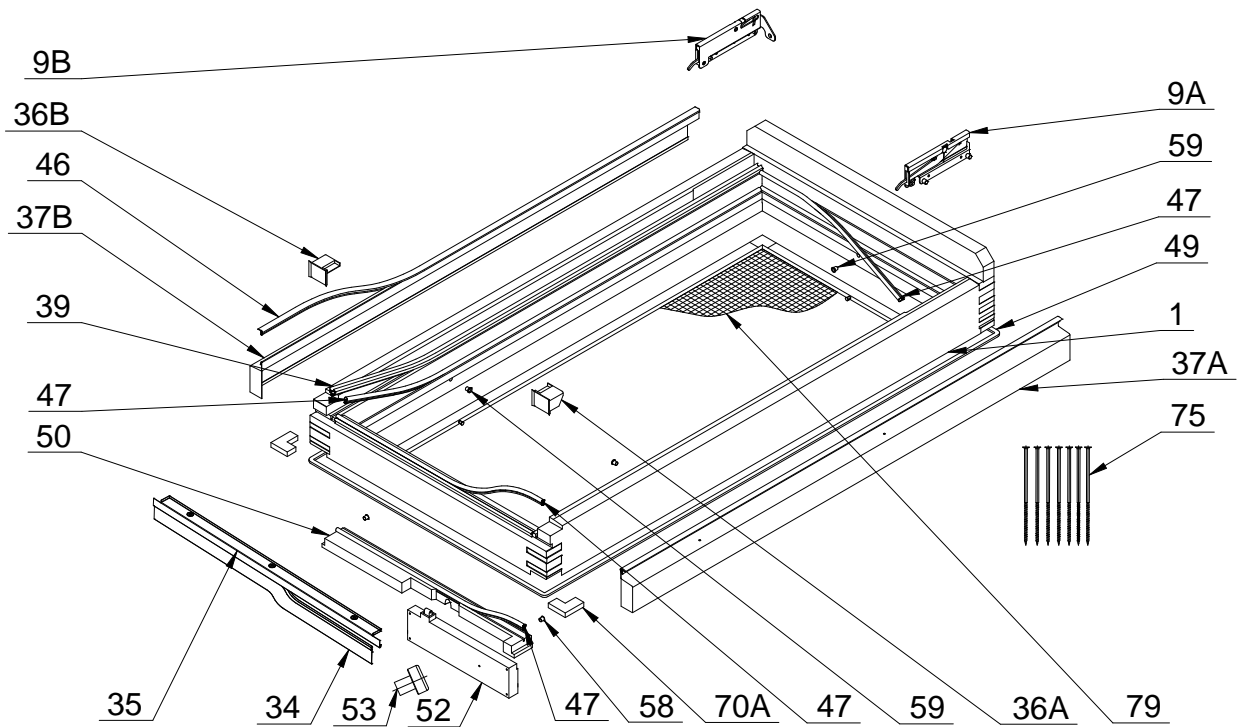


# SKYLIGHT FV

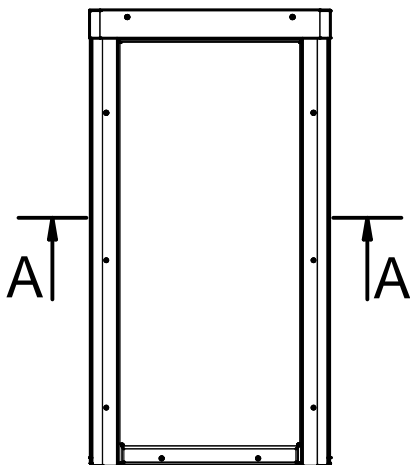
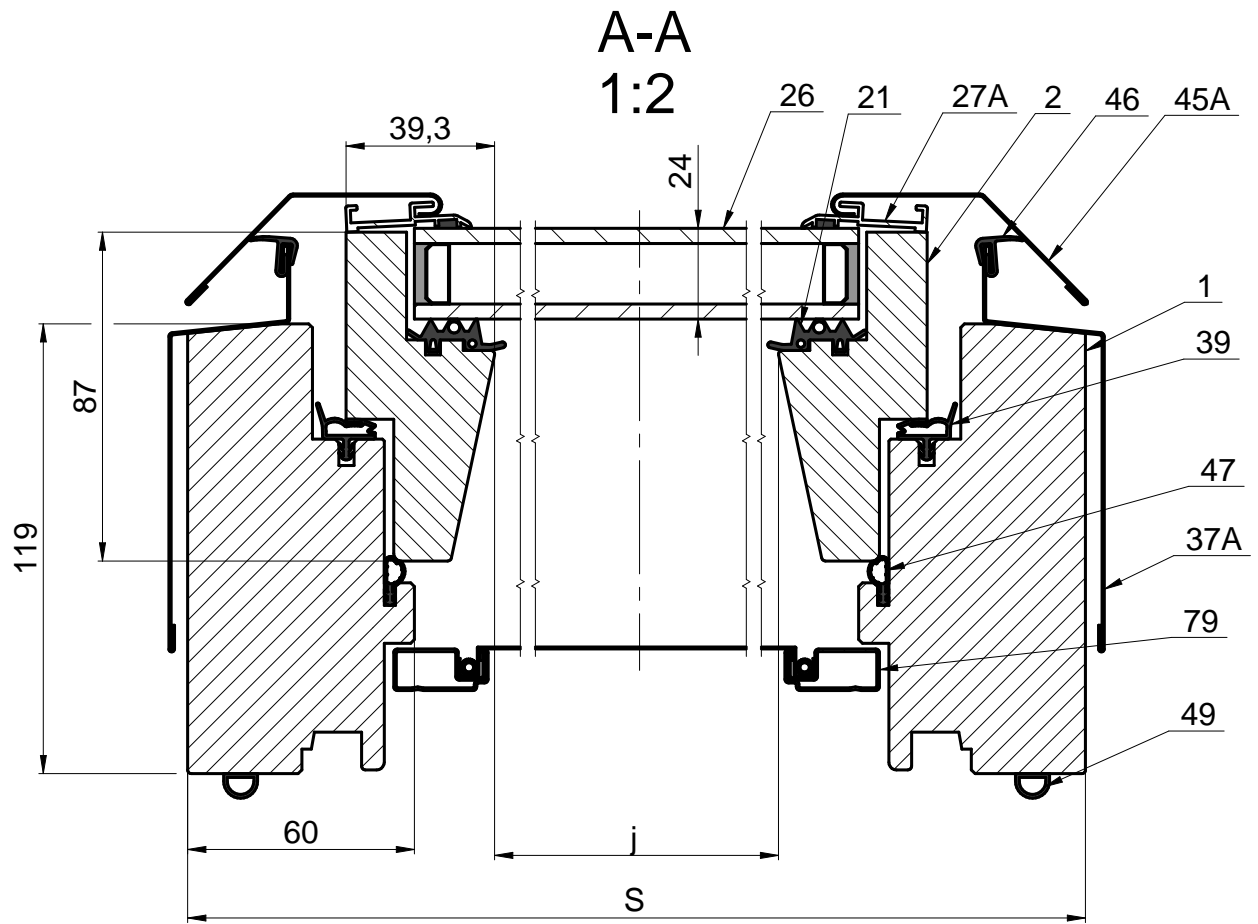
## SASH



## FRAME



| <b>FV vented skylights</b> |                                      |                     |                              |
|----------------------------|--------------------------------------|---------------------|------------------------------|
| Part number                | Part description                     | Quantity per window | Material                     |
| 1                          | Wooden frame                         | 1                   | Pressure treated pine timber |
| 2                          | Wooden sash                          | 1                   | Pressure treated pine timber |
| 9A                         | Frame hinge left                     | 1                   | Galvanised steel             |
| 9B                         | Frame hinge right                    | 1                   | Galvanised steel             |
| 9C                         | Sash hinge left                      | 1                   | Galvanised steel             |
| 9D                         | Sash hinge right                     | 1                   | Galvanised steel             |
| 15                         | Sash bottom covering profile         | 1                   | Aluminium                    |
| 18                         | Bottom condensation gasket BC700     | 1                   | EPDM                         |
| 21                         | Glazing side gasket                  | 2                   | EPDM                         |
| 22                         | Glazing top gasket                   | 1                   | EPDM                         |
| 23                         | Sash bottom glazing bracket          | 2                   | Galvanised steel             |
| 24                         | Glazing bracket washer               | 2                   | Polyamide                    |
| 25                         | Sash bottom glass holing profile     | 1                   | Aluminium                    |
| 26                         | Glazing unit                         | 1                   | -                            |
| 27A                        | Glazing profile left                 | 1                   | Aluminium                    |
| 27B                        | Glazing profile right                | 1                   | Aluminium                    |
| 28                         | Top glazing profile                  | 1                   | Aluminium                    |
| 30                         | Top covering profile gasket BB140    | 1                   | EPDM                         |
| 31                         | Top covering profile                 | 1                   | Aluminium                    |
| 34                         | Frame bottom profile gasket          | 1                   | EPDM                         |
| 35                         | Frame bottom covering profile        | 1                   | Aluminium                    |
| 36A                        | Frame plug left                      | 1                   | TPE                          |
| 36B                        | Frame plug right                     | 1                   | TPE                          |
| 37A                        | Frame side covering profile left     | 1                   | Aluminium                    |
| 37B                        | Frame side covering profile right    | 1                   | Aluminium                    |
| 39                         | Bottom or top frame gasket BC600     | 2                   | TPE                          |
| 45A                        | Sash covering profile left           | 1                   | Aluminium                    |
| 45B                        | Sash covering profile right          | 1                   | Aluminium                    |
| 46                         | Side covering profile gasket BC500   | 2                   | EPDM                         |
| 47                         | Frame side gasket BC800              | 5                   | TPE                          |
| 48                         | Top covering profile gasket BC900    | 1                   | EPDM                         |
| 49                         | Perimeter gasket                     | 1                   | EPDM                         |
| 50                         | Bottom frame wooden moulding         | 1                   | Pressure treated pine timber |
| 52                         | Opening mechanism                    | 1                   | by producer                  |
| 53                         | Hexball adaptor                      | 1                   | by producer                  |
| 54                         | Chain holder                         | 1                   | by producer                  |
| 55                         | Pin                                  | 1                   | Galvanised steel             |
| 56                         | Mount of covering profile            | 4 - 6               | Polyamide                    |
| 57A                        | Sash side covering profile cap left  | 1                   | Polyamide                    |
| 57B                        | Sash side covering profile cap right | 1                   | Polyamide                    |
| 58                         | Screw cap                            | 2 - 3               | Nylon                        |
| 59                         | Mosquito screen plug                 | 3 - 4               | Nylon                        |
| 60                         | Plug insertion                       | 2                   | Polyethylene foam            |
| 70A                        | Frame corner seals                   | 2                   | Polyethylene foam            |
| 75                         | Mounting screws 6x200mm              | 5 - 7               | Galvanised steel             |
| 79                         | Mosquito net                         | 1                   | Fiberglass PVC covered       |



B-B  
1:2

